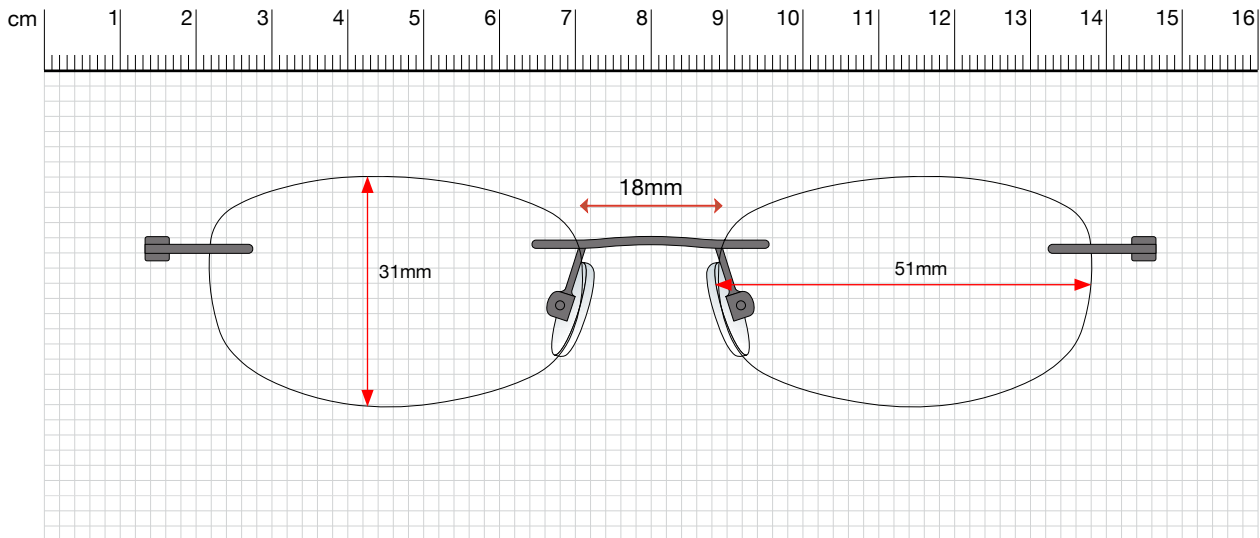


Ice



(actual size when printed on A4 paper)

Print this PDF to check how the frame measurements compare to your existing glasses.

To compare your current glasses against these style simply place them onto the image below, you can check the scale using our ruler.

Ice benefit from the sophisticated air-lock system that holds the lenses together. Sleek and lightweight, the ultra thin single-bar metal bridge and arms come in four contemporary colours. Plastic arm tips, and soft adjustable nose pads provide a comfortable and secure fit.

